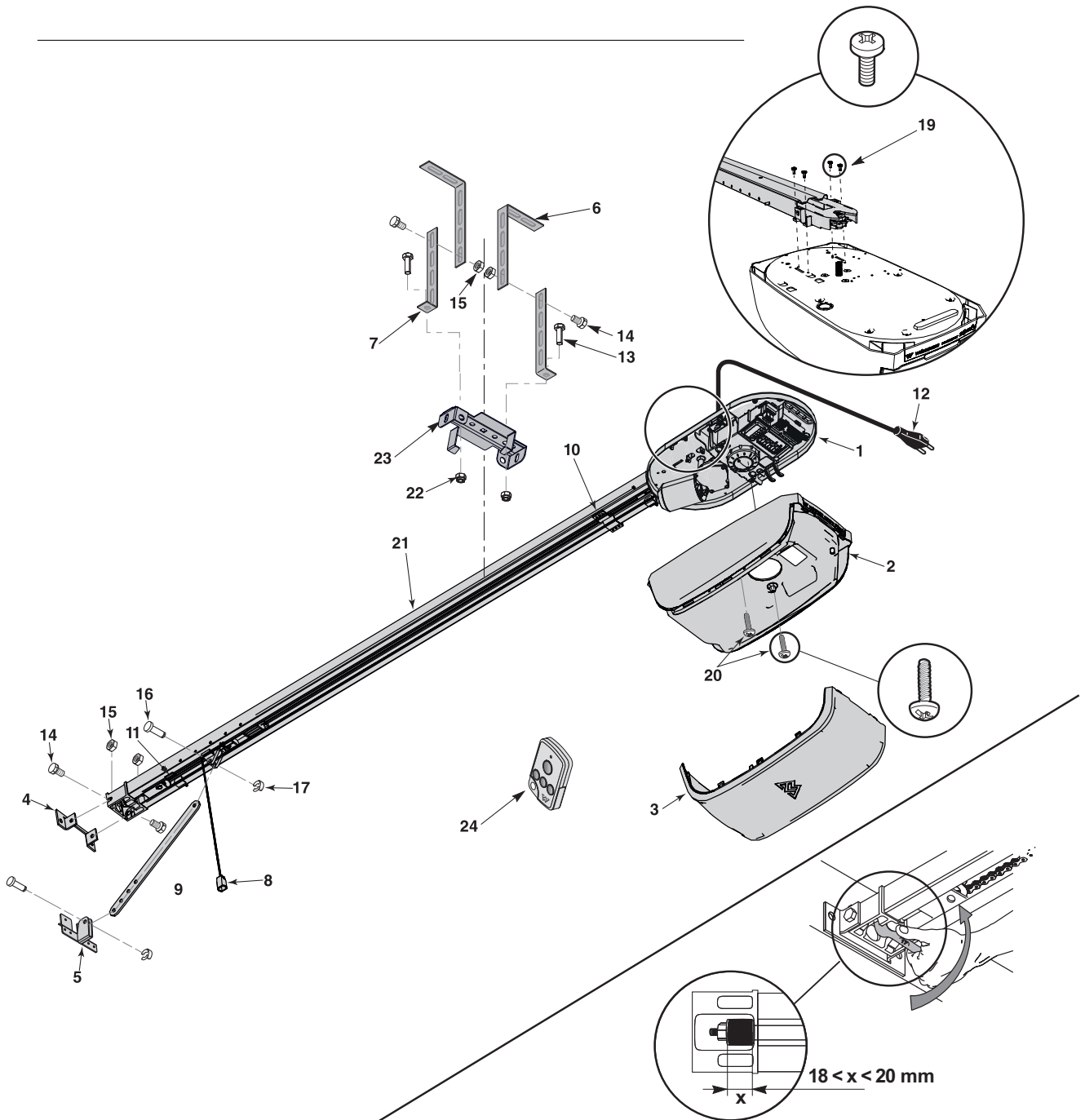
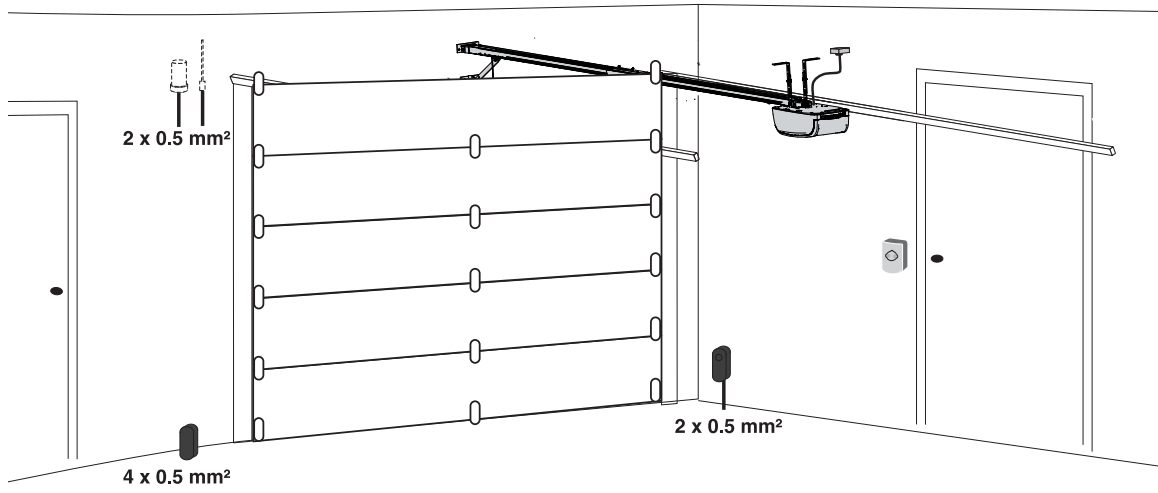


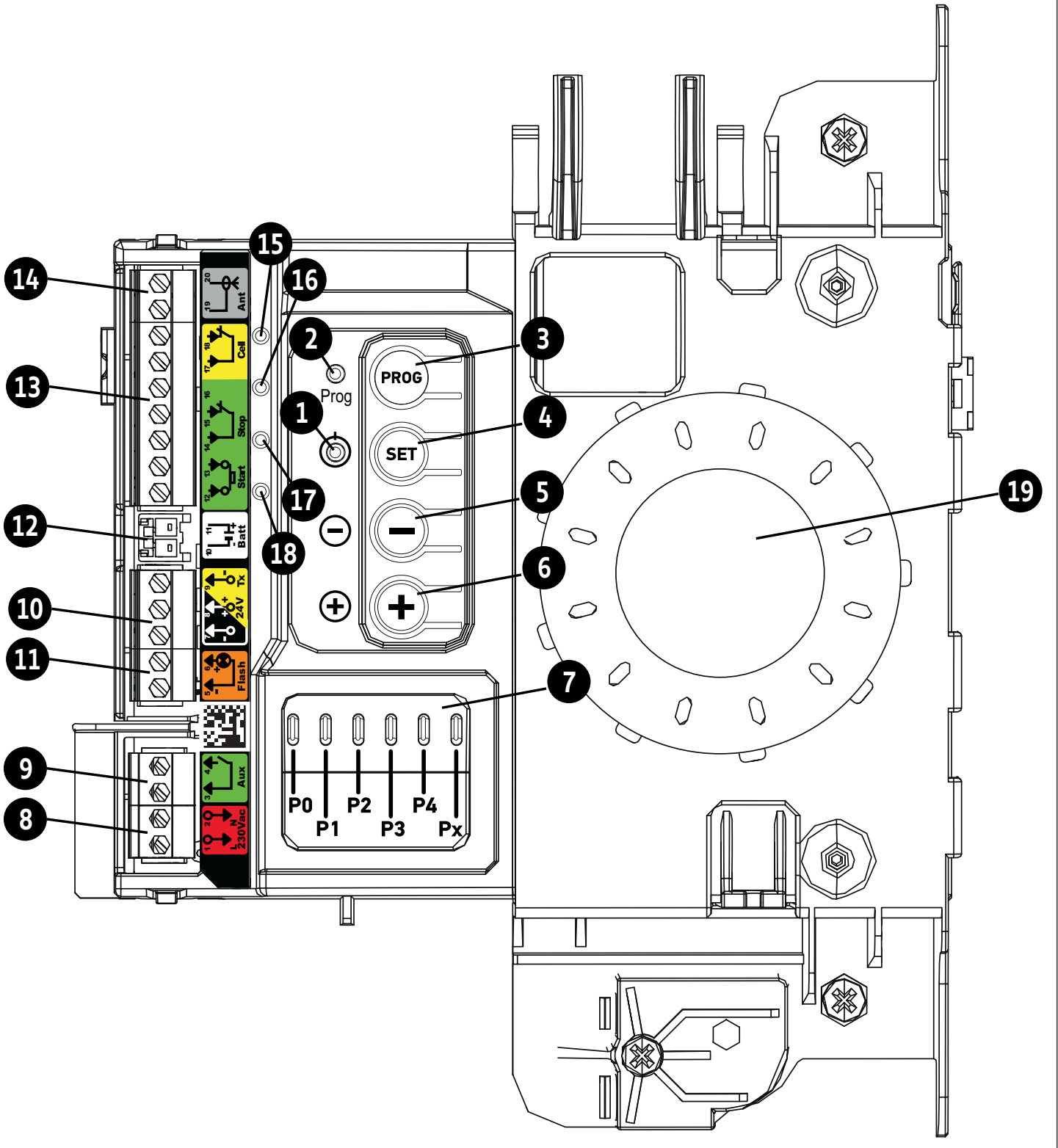
Metro Smart 800 io

Metro Smart 1000 io

- PL** Rysunki instrukcji instalacji
- EN** Installation Guide Illustrations
- DE** Abbildungen Installationsanleitung
- FR** Manuel d'installation Illustrations
- IT** Illustrazioni della guida all'installazione
- NL** Illustraties in installatiegids
- CS** Obrázky Návodu k použití
- FI** Asennusoppaan kuvat
- NO** Illustrasjoner til installasjonsguide
- SV** Installationsguide bilder
- DA** Illustrationer til monteringsvejledning

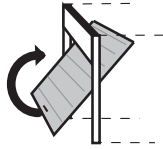
1



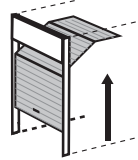


3

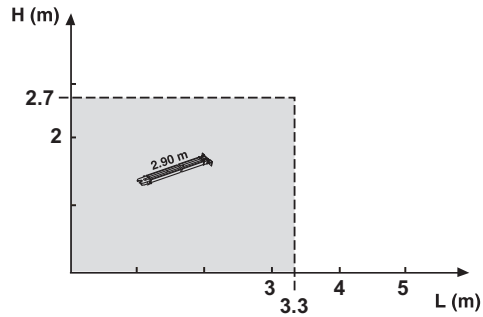
A



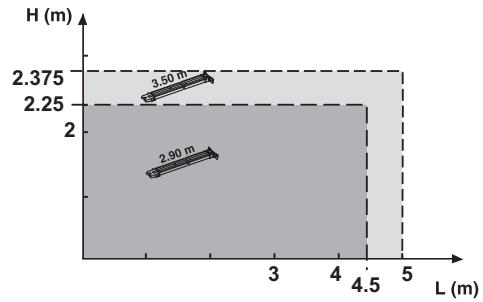
B



Metro Smart 800 io

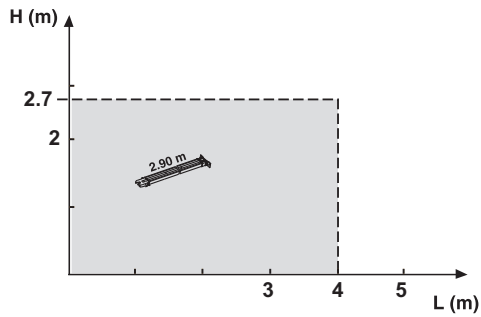


Pmax = 140 kg

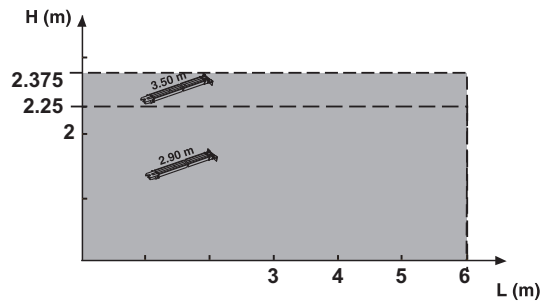


Pmax = 190 kg Pmax = 200 kg

Metro Smart 1000 io

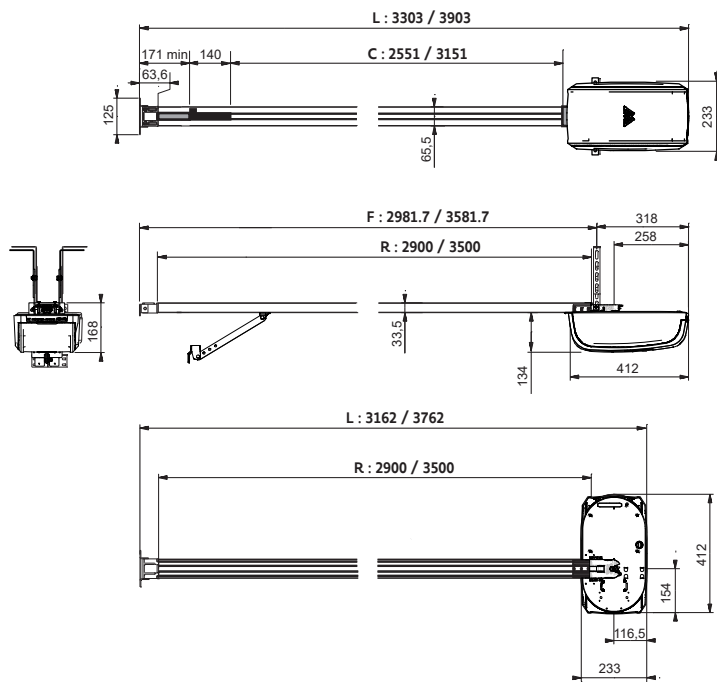


Pmax = 150 kg

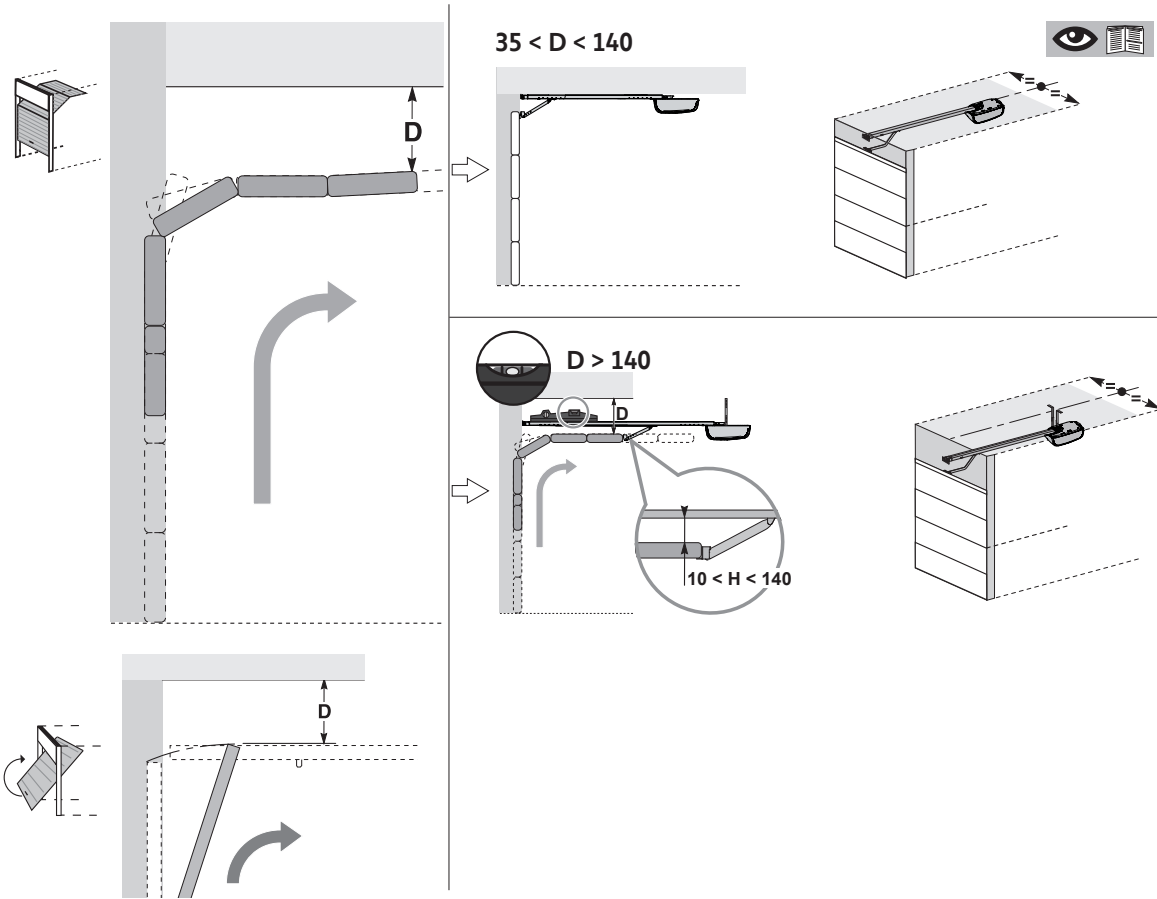


Pmax = 255 kg

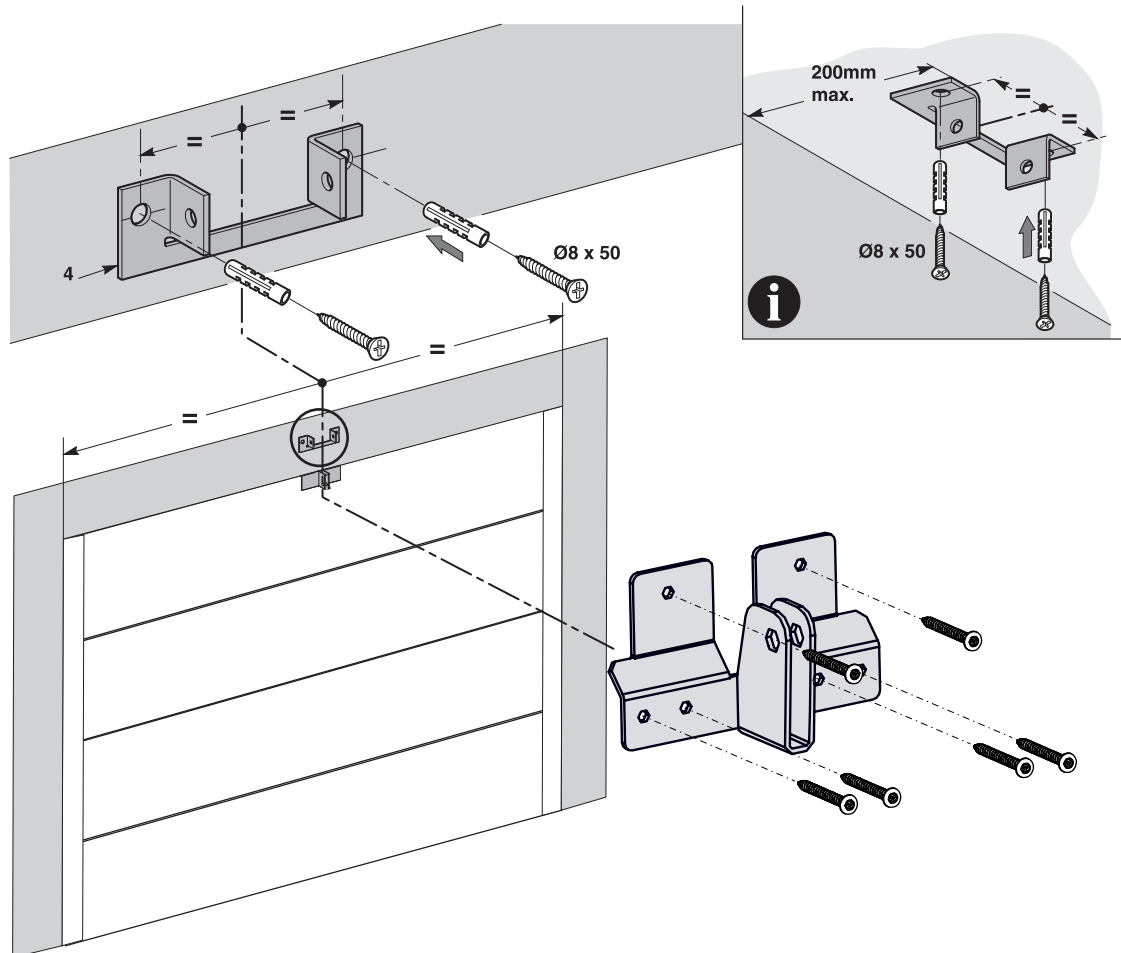
4



5

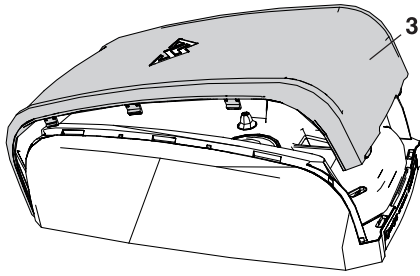


6

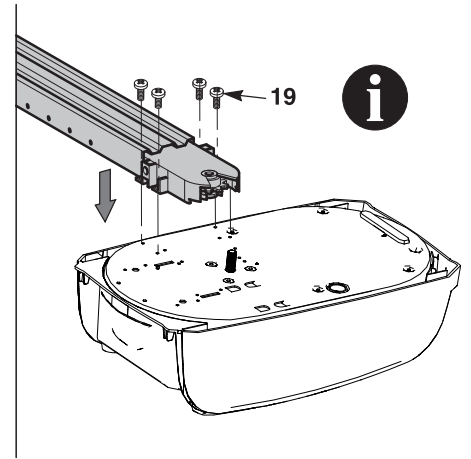
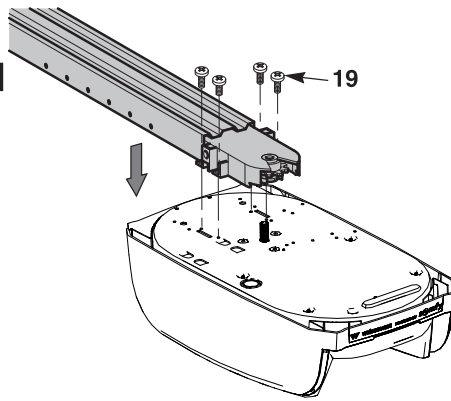


7

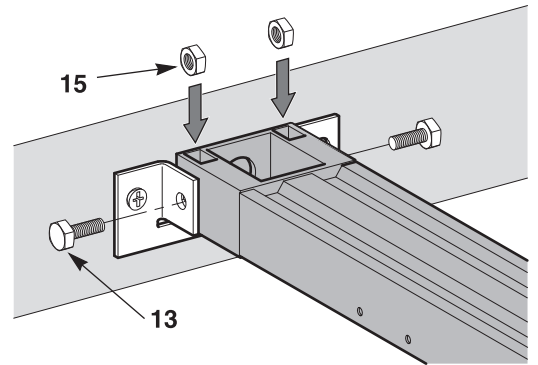
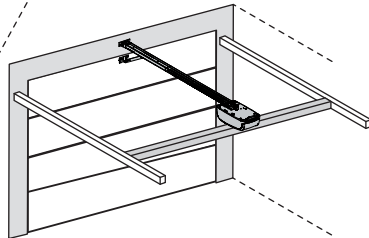
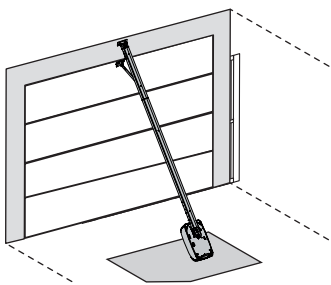
[1]



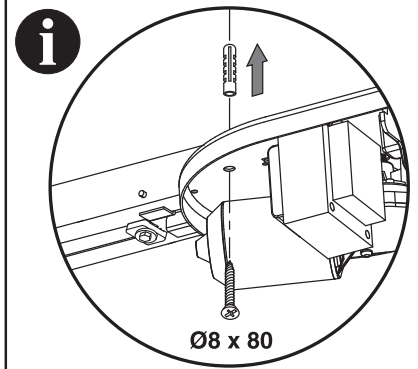
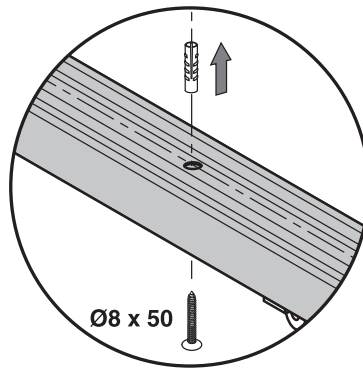
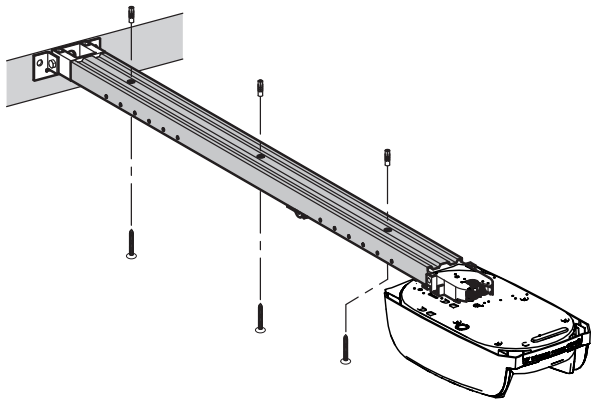
[2]



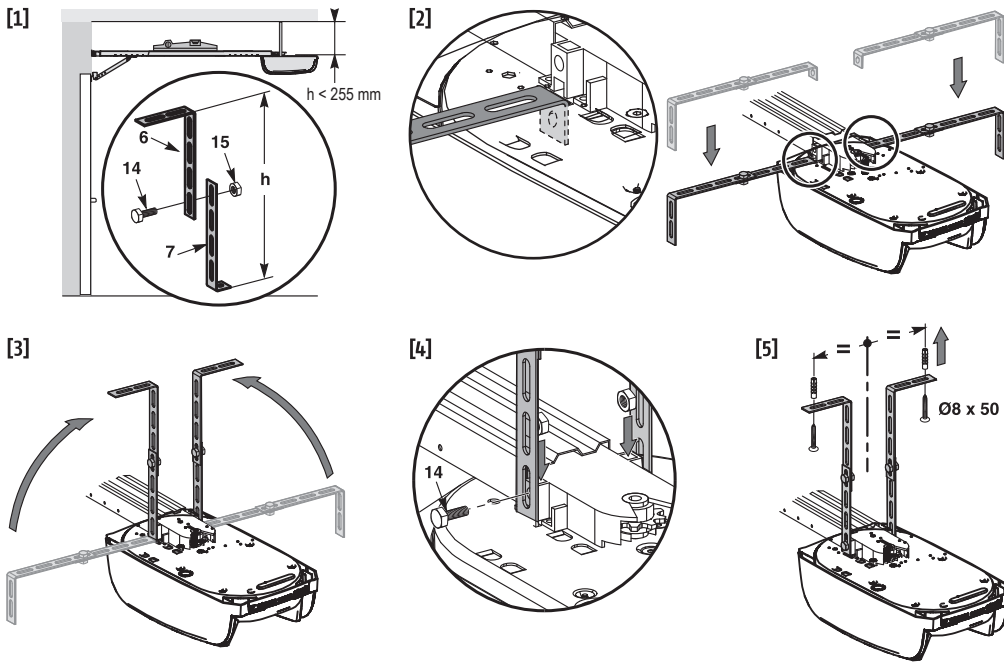
8



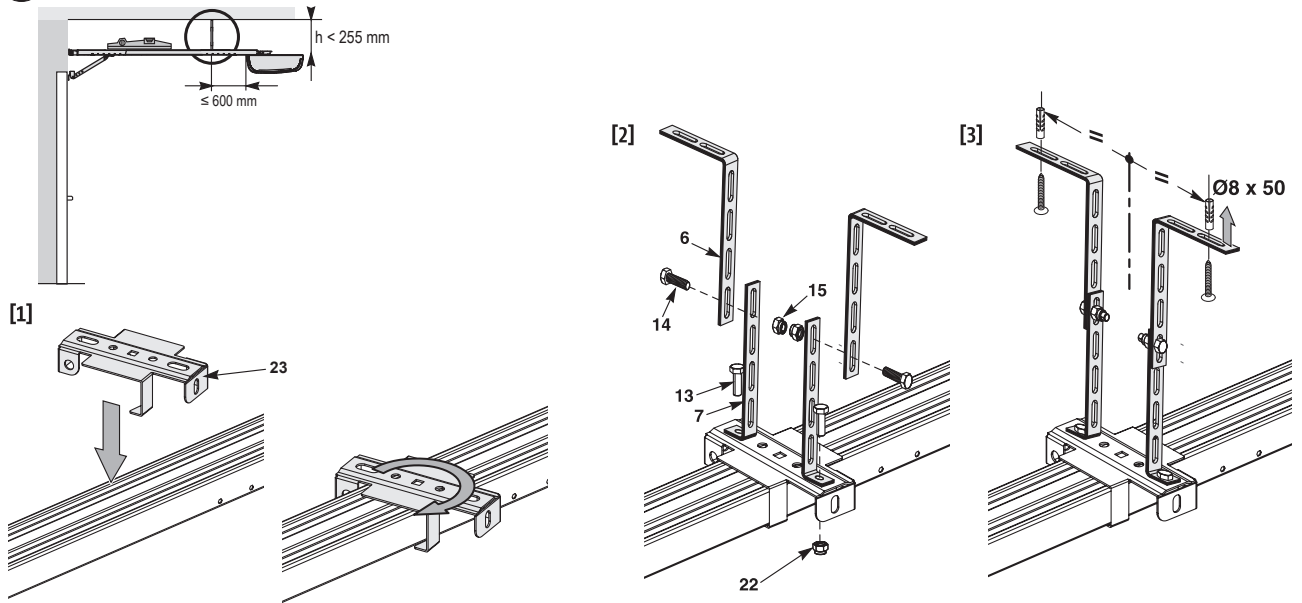
9



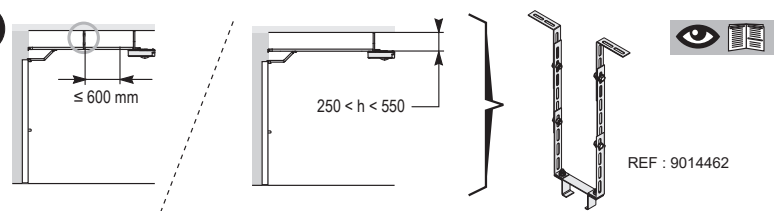
a



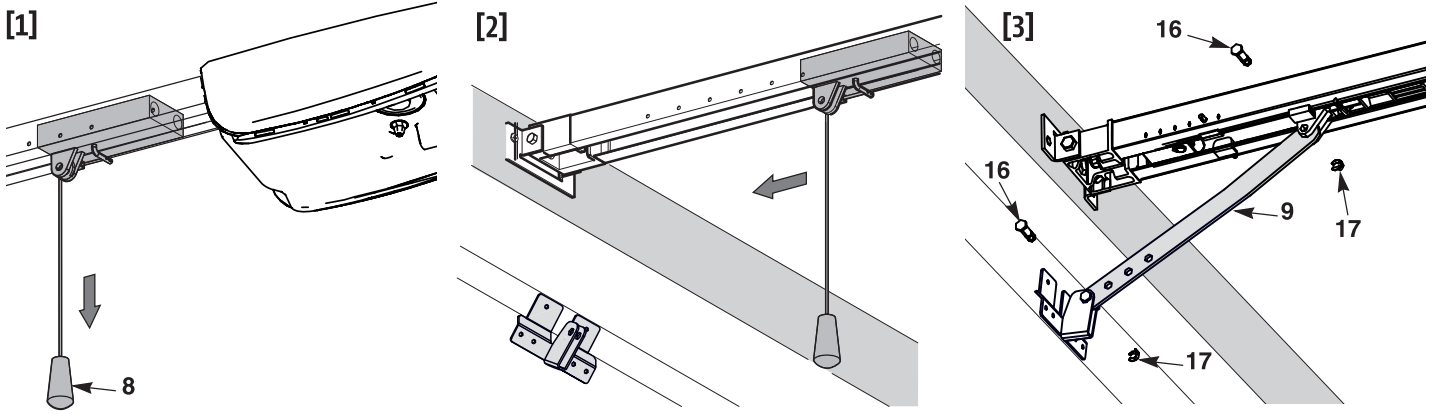
b



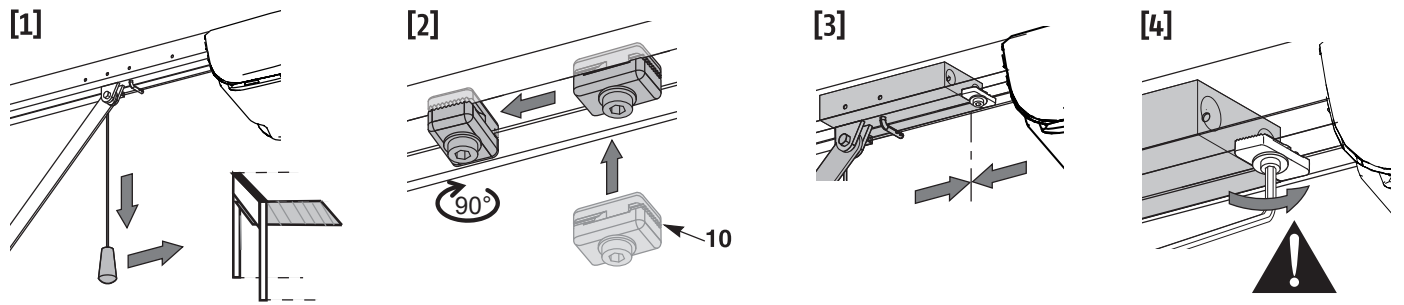
i



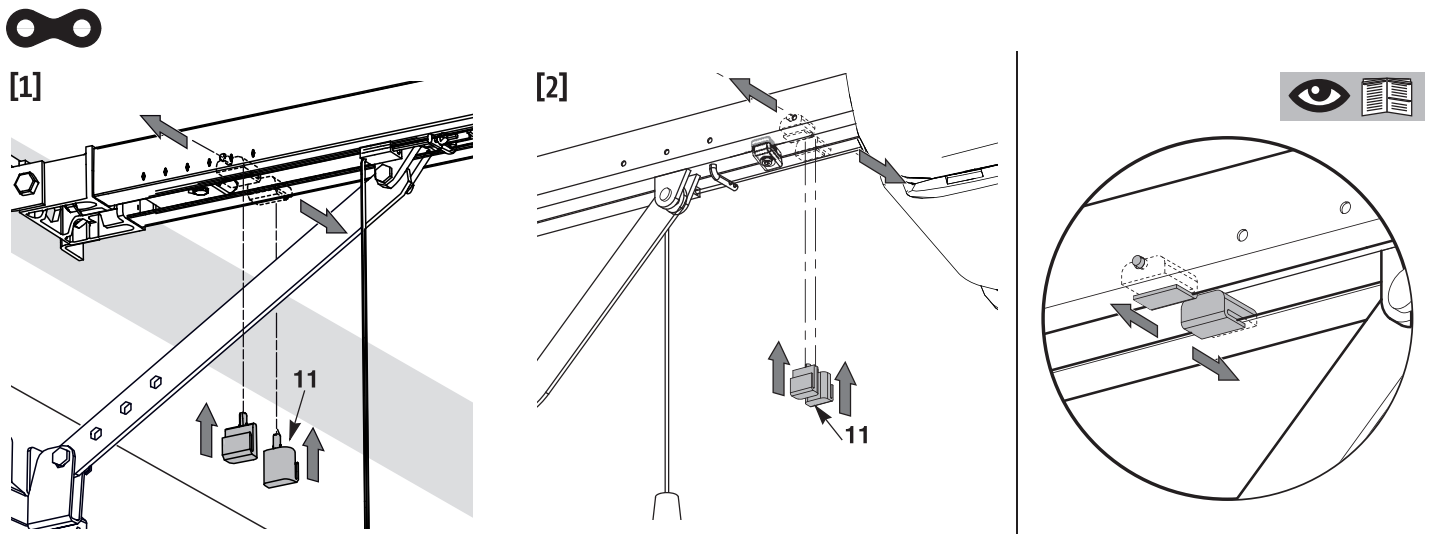
11

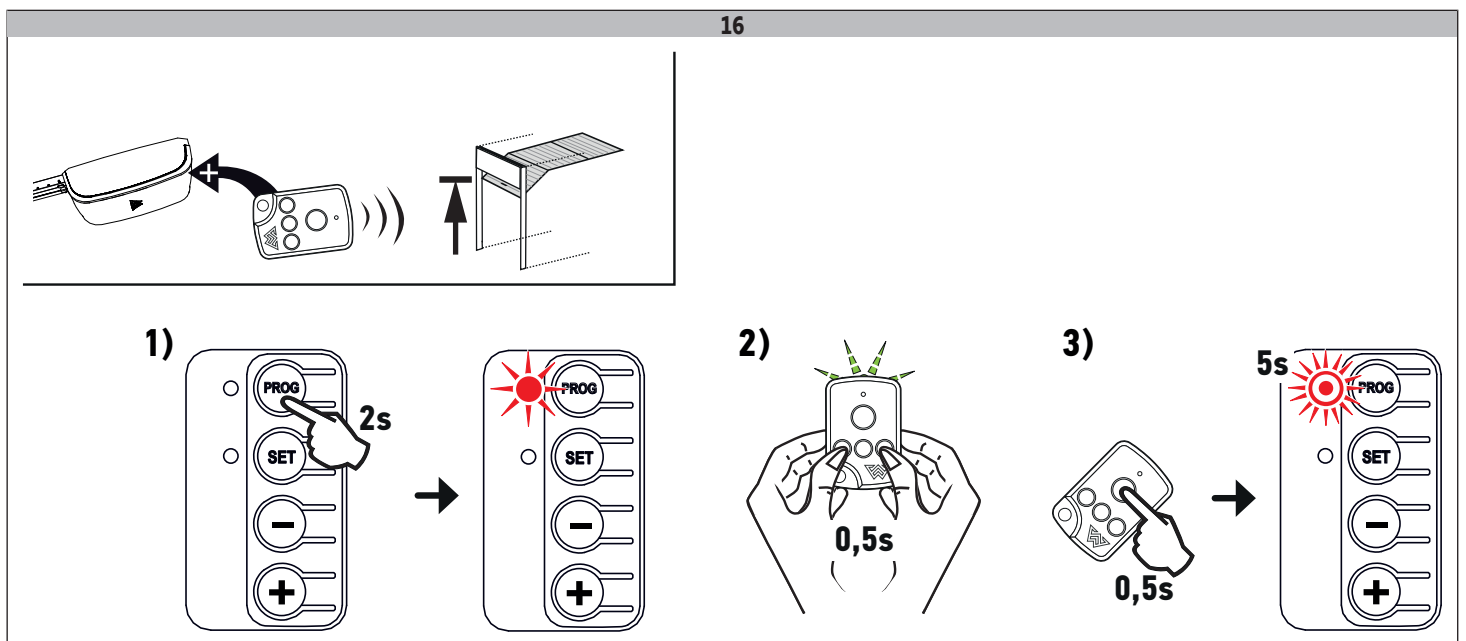
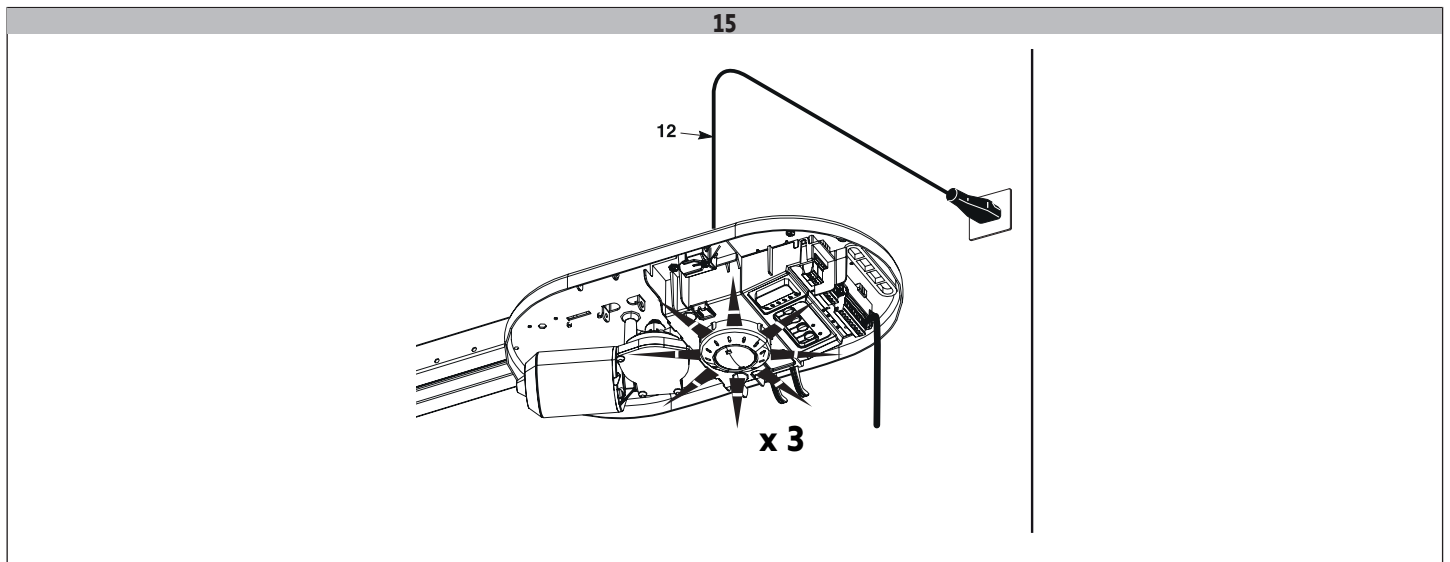
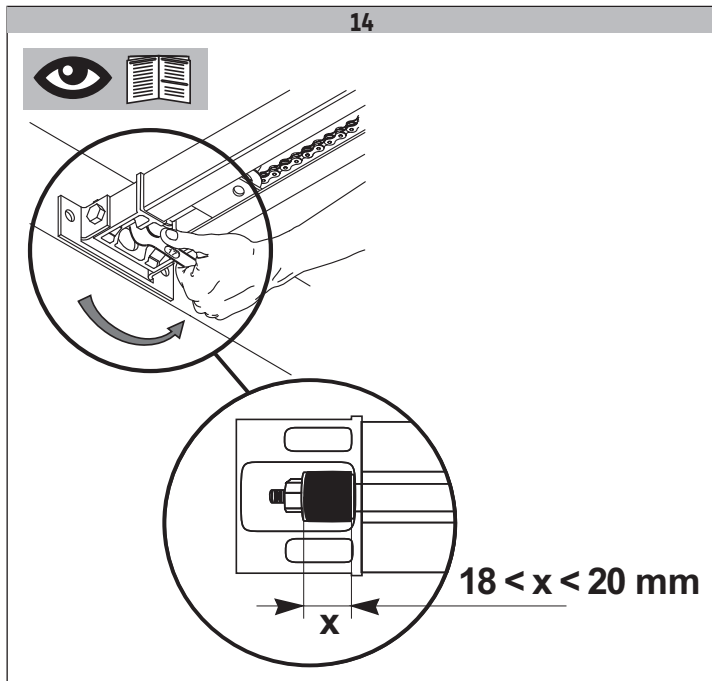


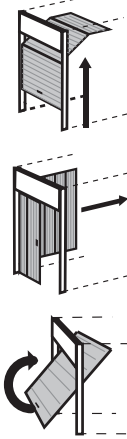
12



13



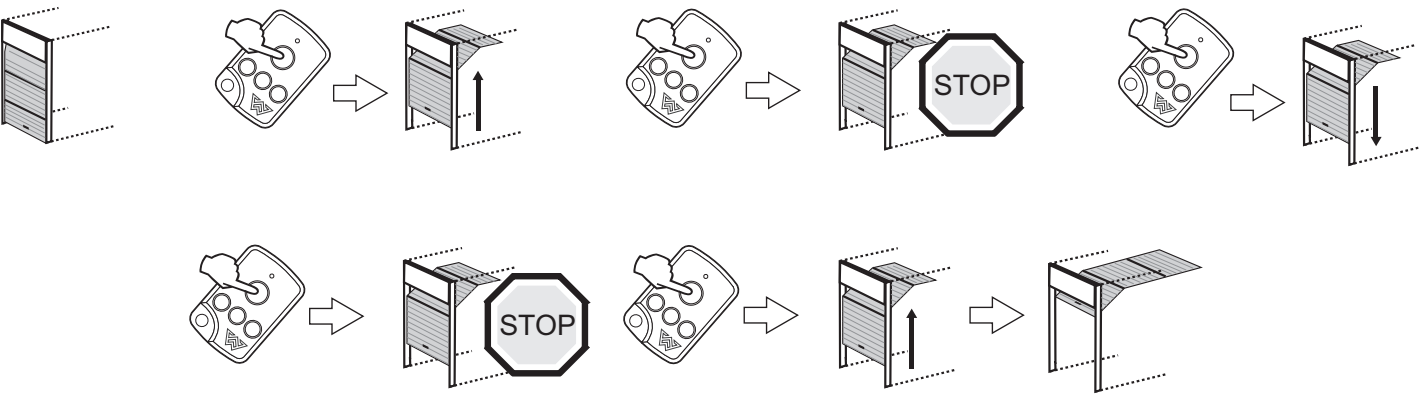
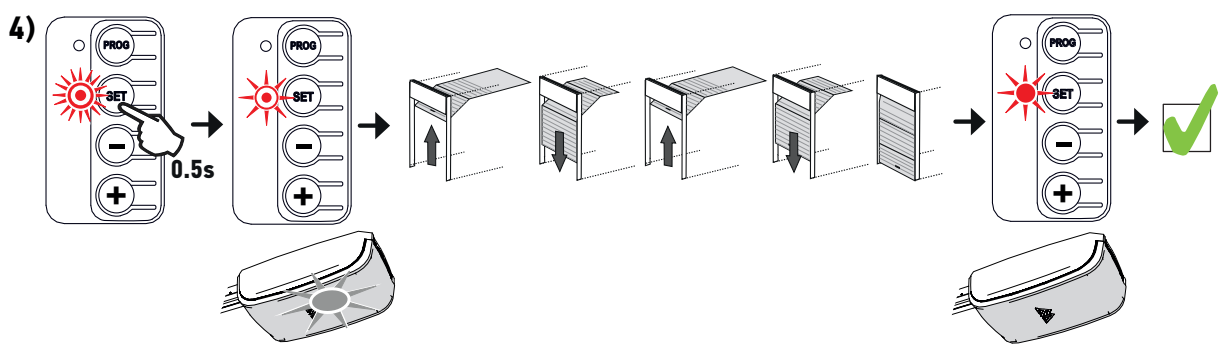
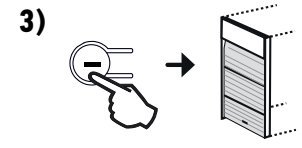
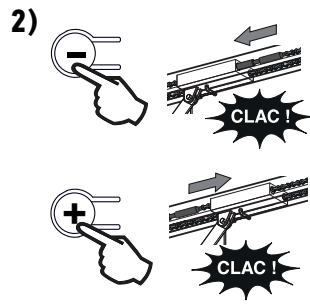
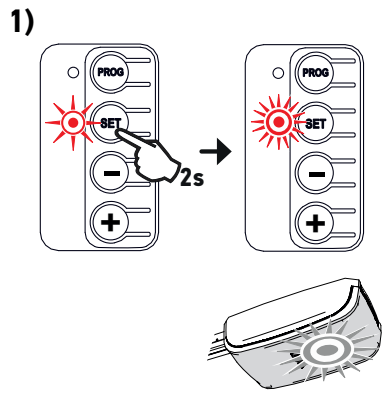
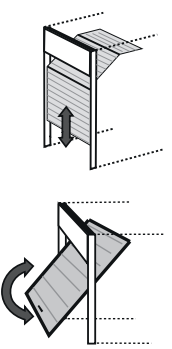
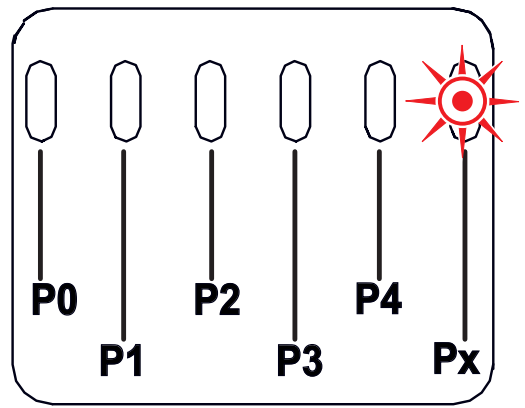


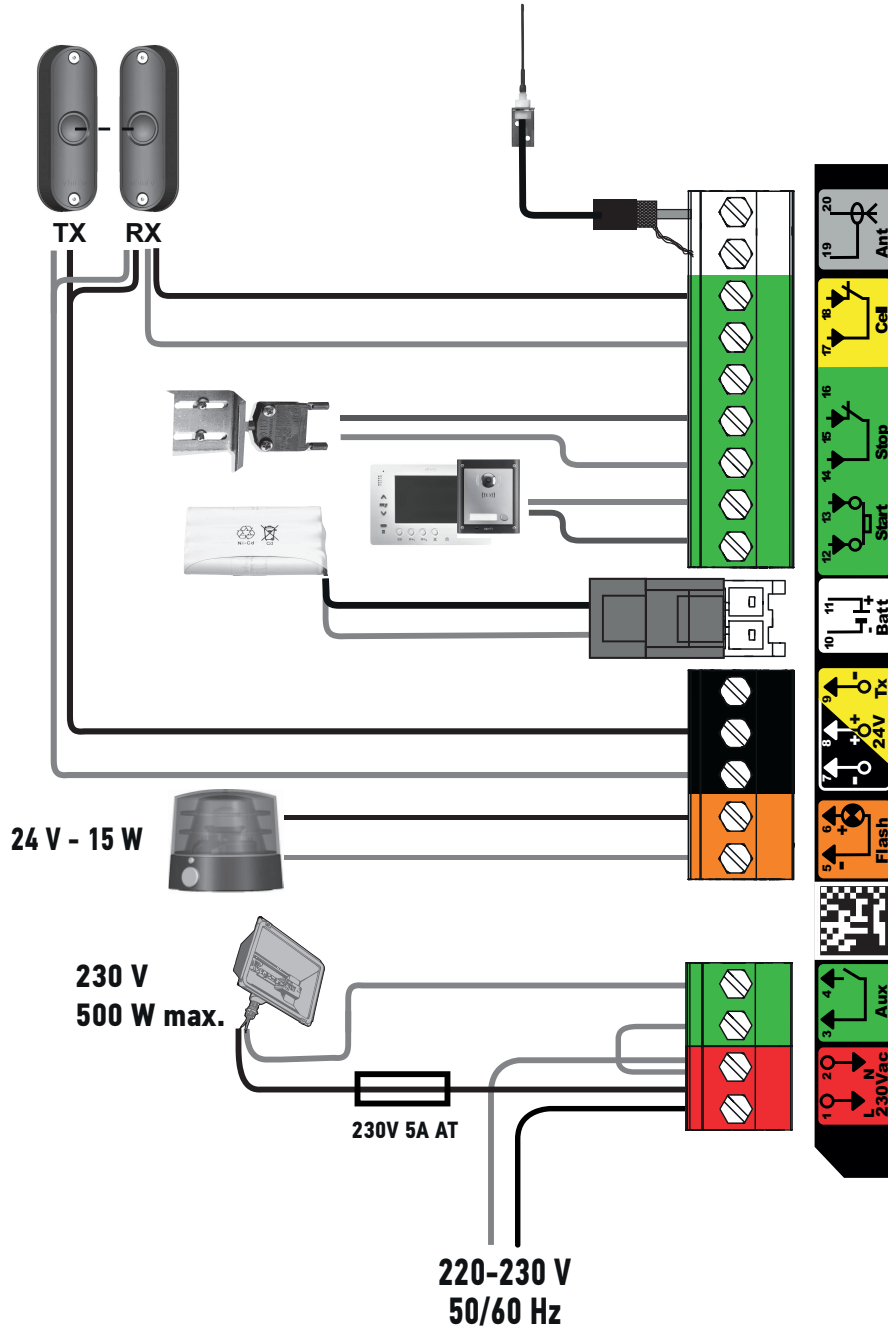


Px = 1

Px = 2

Px = 3





21



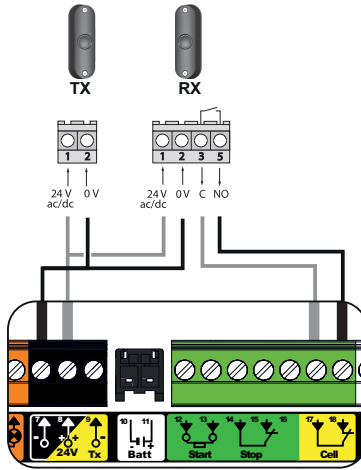
x1

1)



2)

TX	1	2
METRO	8	7



RX	1	2	3	5
METRO	8	7	17	18

3)

P4 = 1



x2

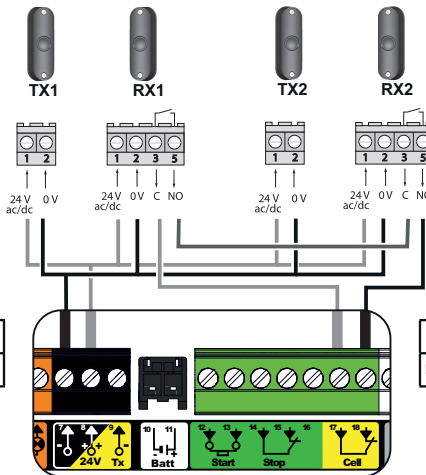
1)



2)

TX1	1	2
METRO	8	7

RX1	1	2	3	5
METRO	8	7	17	18



TX2	1	2
METRO	8	7

RX2	1	2	3	5
METRO	8	7	17	18

3)

P4 = 1

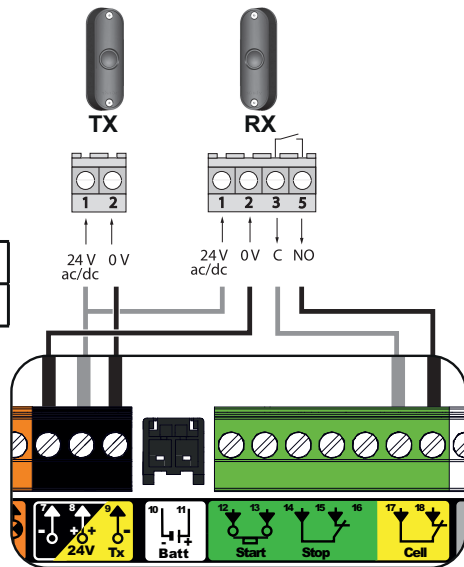
22

1)



2)

TX	1	2
METRO	8	9



RX	1	2	3	5
METRO	8	7	17	18

3)

P4 = 3

23



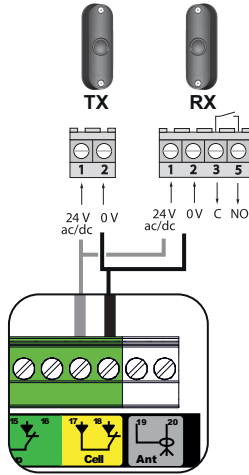
x1

1)



2)

TX	1	2
METRO	17	18



RX	1	2	3	5
METRO	17	18	-	-

3)

P4 = 2



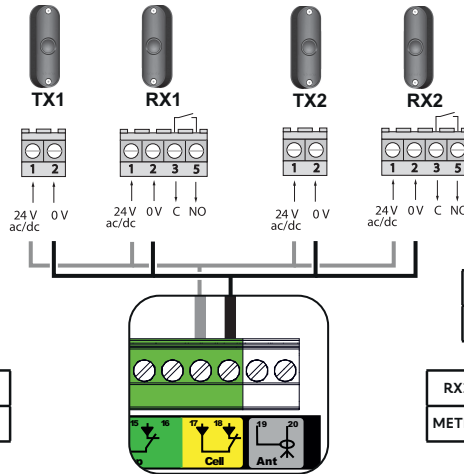
x2

1)



2)

TX1	1	2
METRO	17	18



RX1	1	2	3	5
METRO	17	18	-	-

TX2	1	2
METRO	17	18

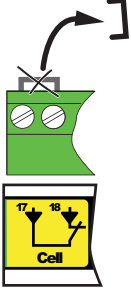
RX2	1	2	3	5
METRO	17	18	-	-

3)

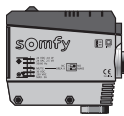
P4 = 2

24

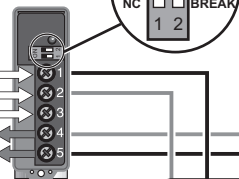
1)



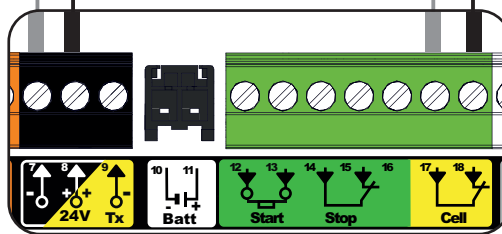
2)



+24 V
0 V
MUTE
CELLS
OUTPUT

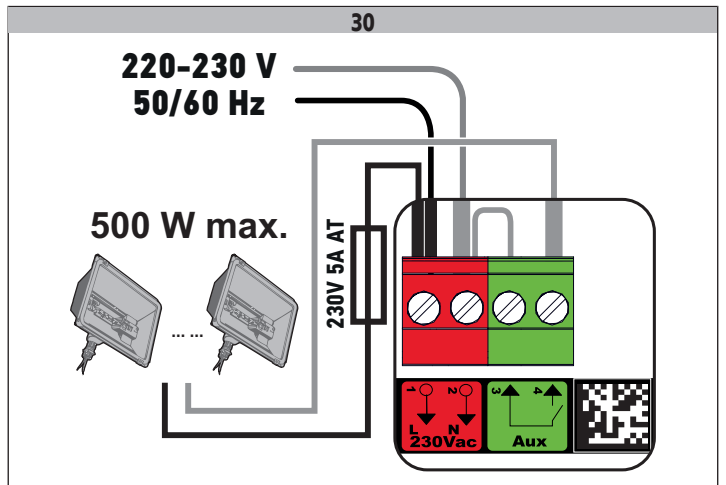
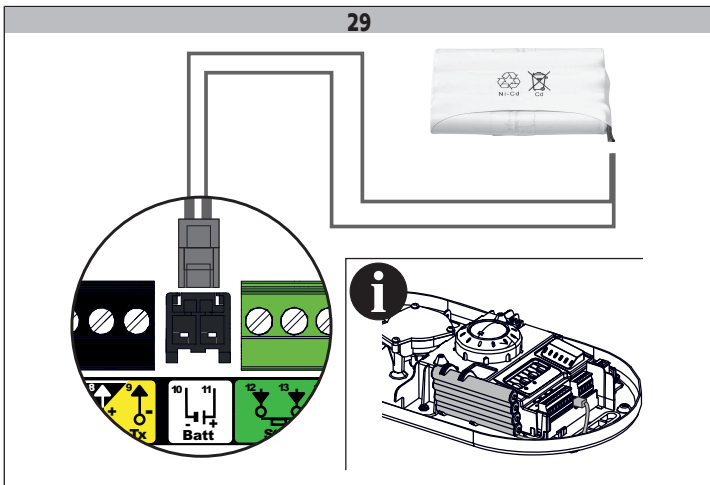
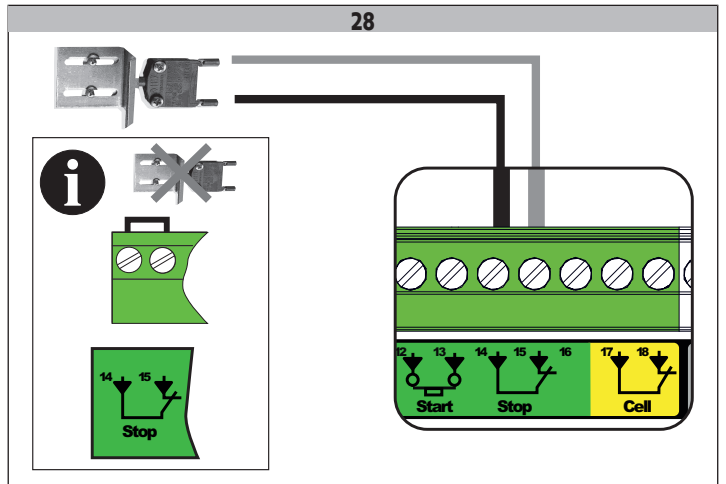
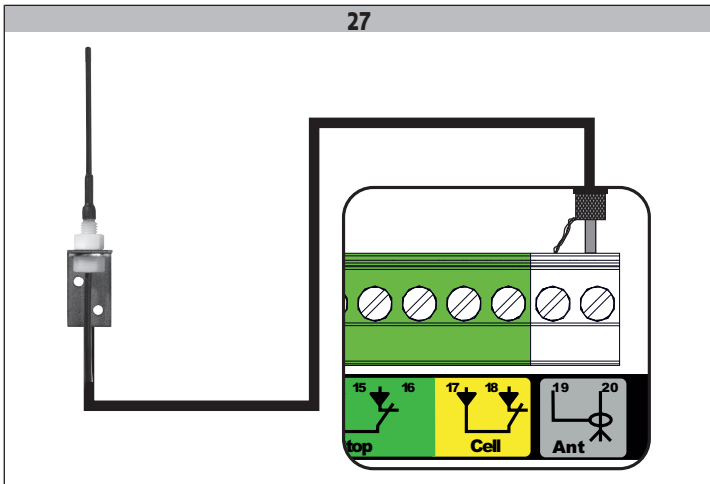
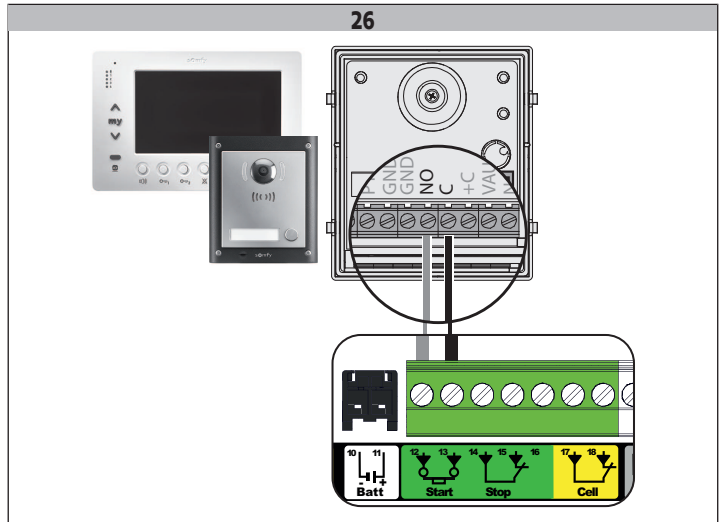
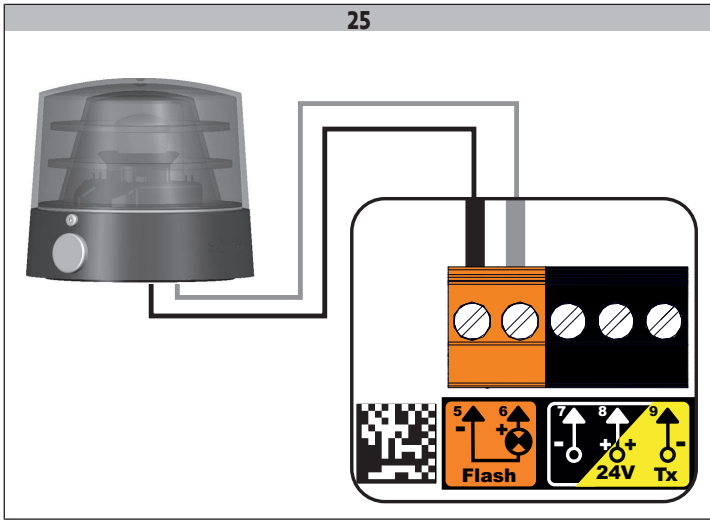


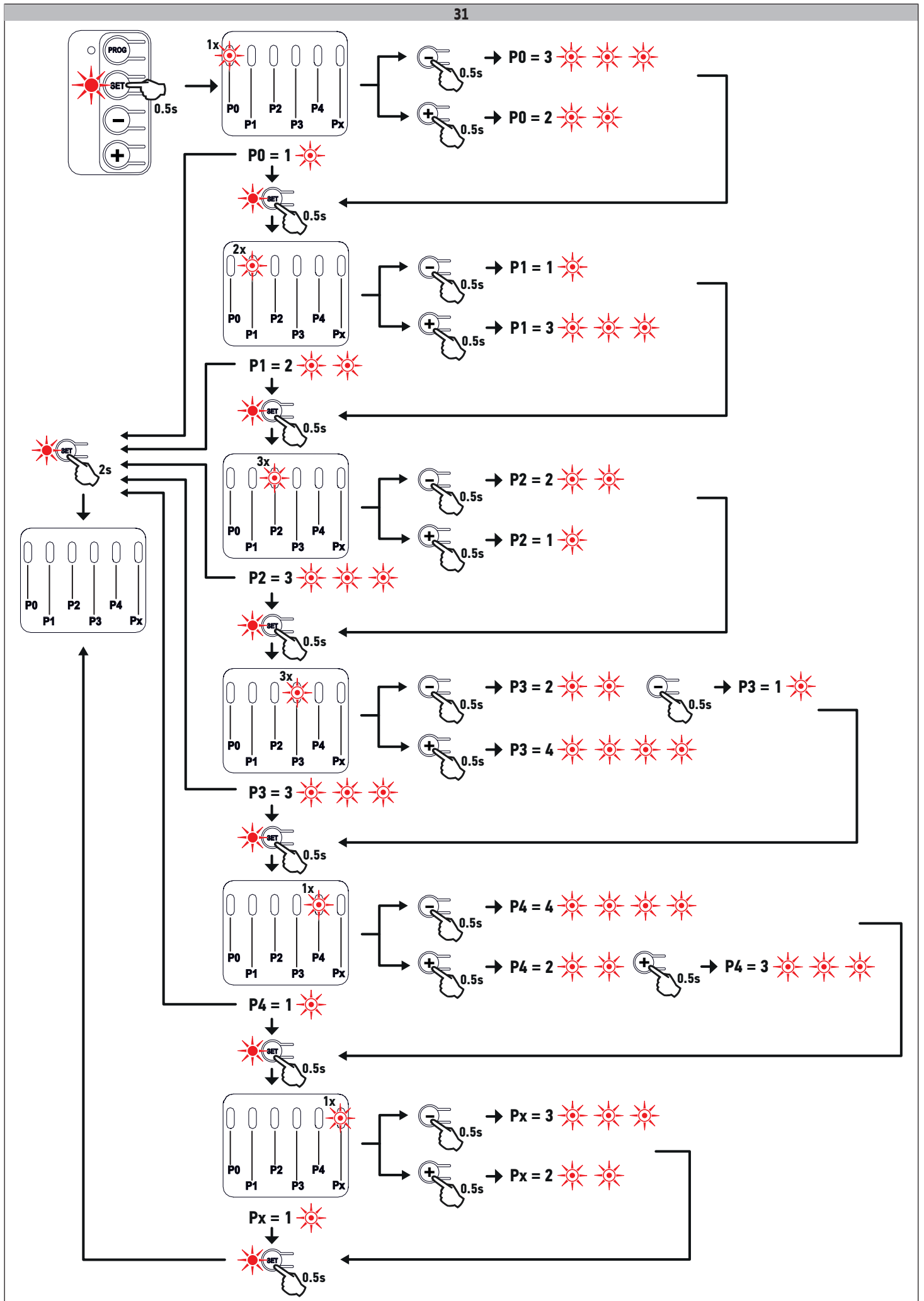
	1	2	3	4	5
METRO	8	7	-	17	18



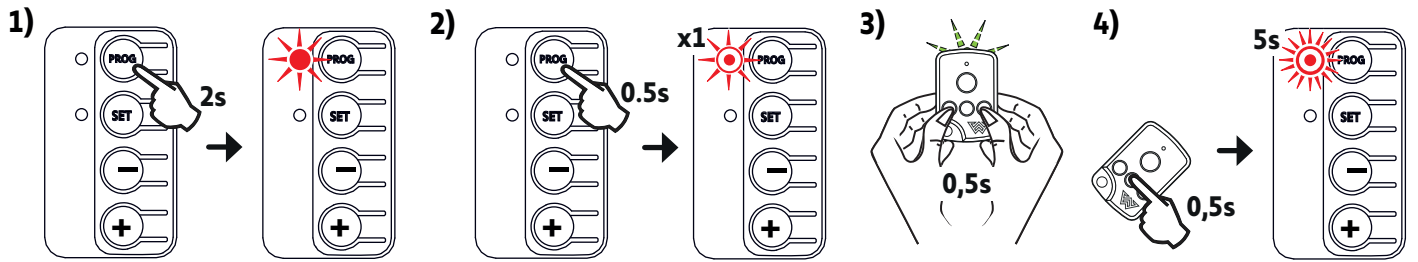
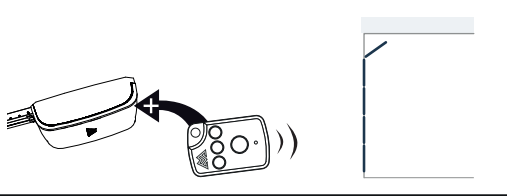
3)

P4 = 1

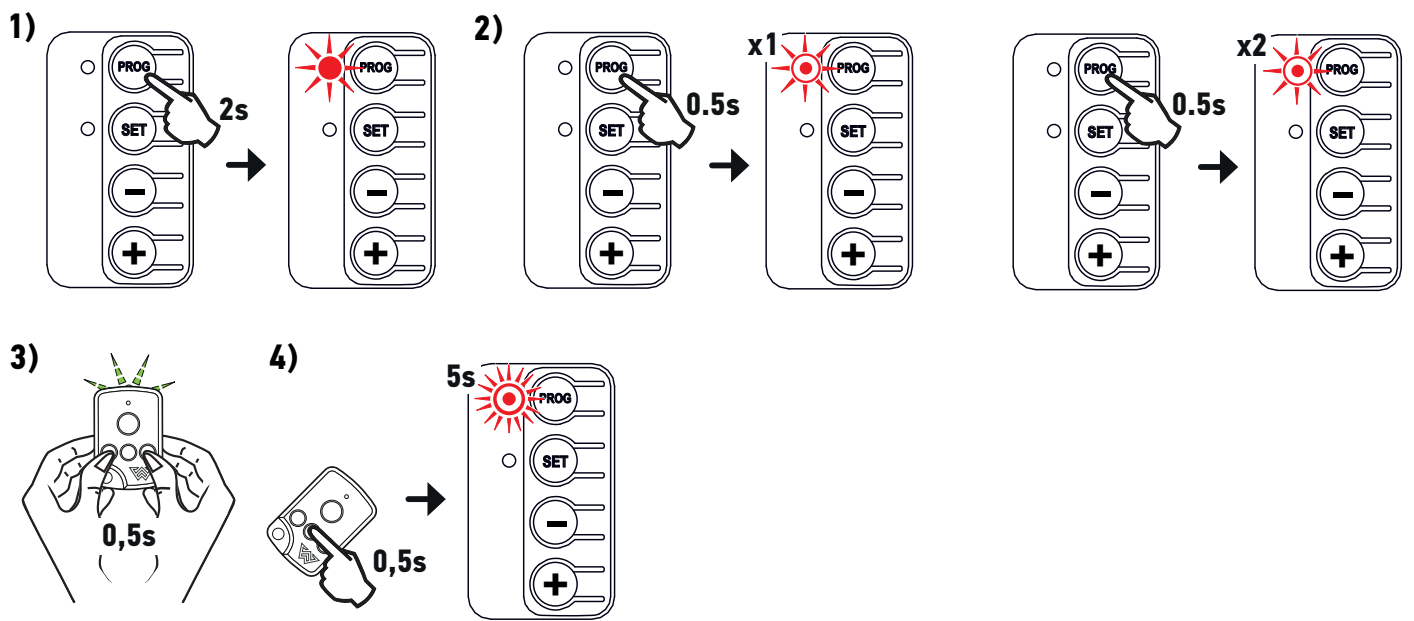




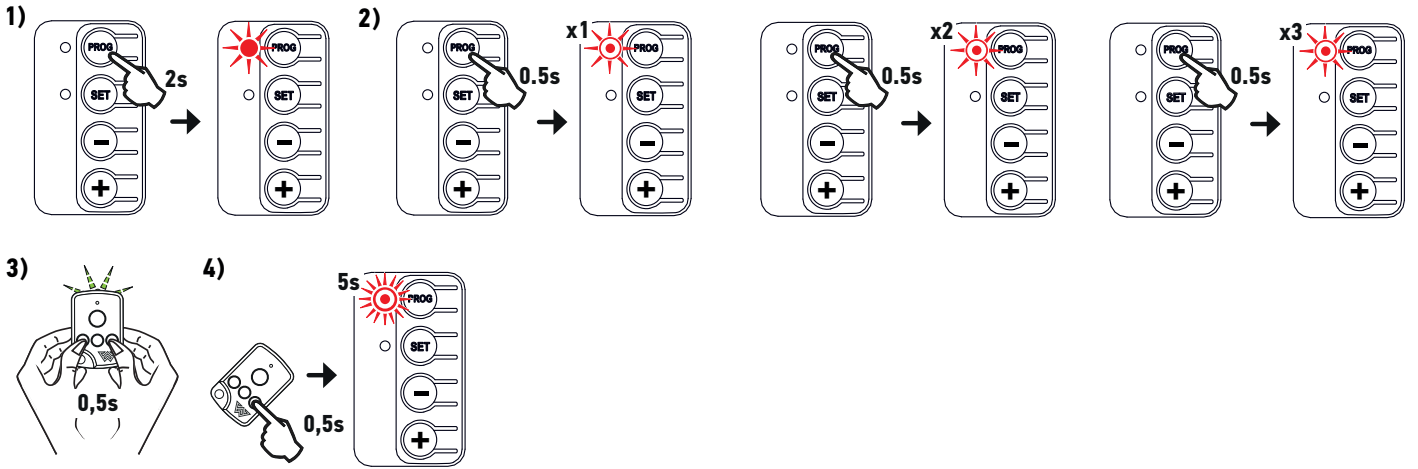
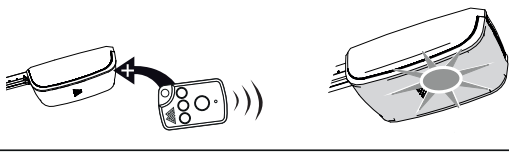
32



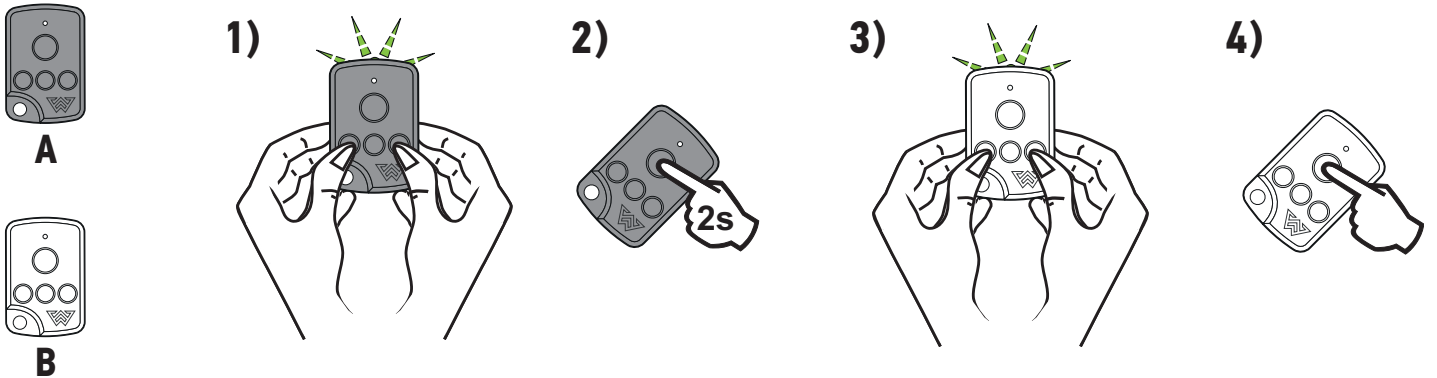
33



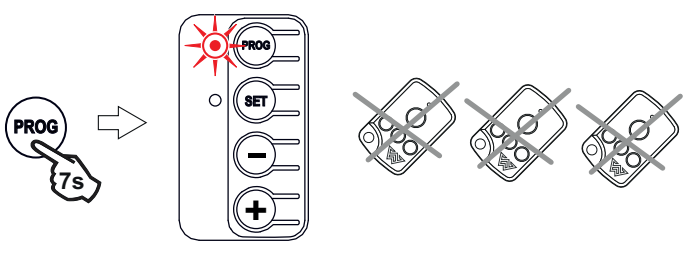
34



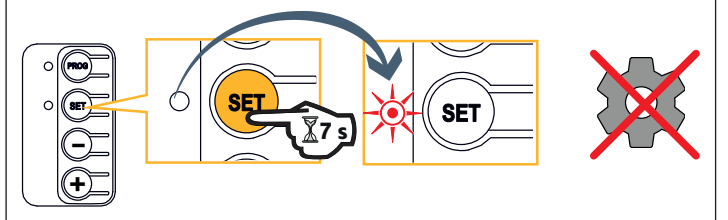
35



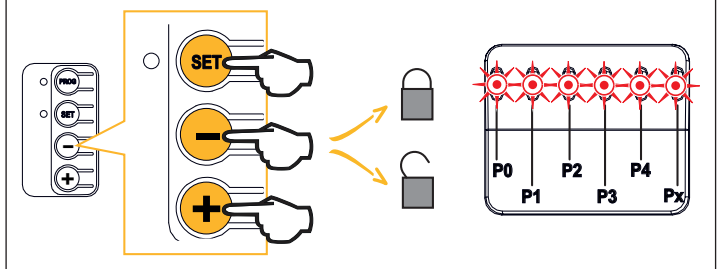
36



37



38



somfy[®]

Producent:

SOMFY ACTIVITES SA

50 avenue du Nouveau Monde

F-74300 CLUSES

www.somfy.com



WIŚNIEWSKI

Partner biznesowy:

WIŚNIEWSKI Sp. z o.o. S.K.A.

33-311 Wielogłowy 153

POLSKA

www.wisniowski.pl

Tel : +48 18 44 77 111

Fax : +48 18 44 77 110



5153927A

